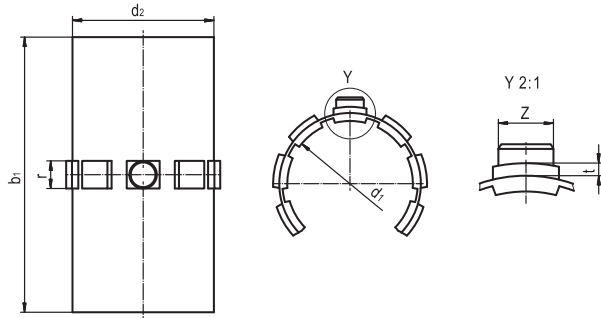


LIN-11K滑动膜 Liners

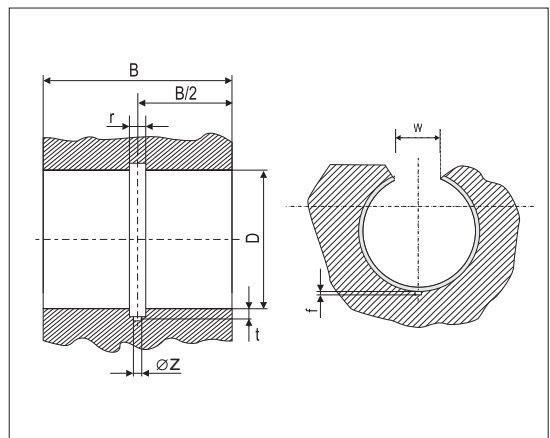


座孔 Housing: H7 轴 Shaft: h6-h9

产品编码 Part No.	d ₁ [mm]	公差 Tolerance [mm]	d ₂ [mm]	b ₁ [mm]	t [mm]	Z [mm]	r[-0.1/-0.2] [mm]	重量 Weight [g]
LIN-11K-10	10	+0.030/+0.070	12	28	0.8	2.5	3.0	1.0
LIN-11K-12	12	+0.030/+0.070	14	31	0.8	3.0	3.0	1.3
LIN-11K-16	16	+0.030/+0.070	18	35	0.8	3.5	3.5	1.9
LIN-11K-20	20	+0.030/+0.070	23	44	0.8	3.5	5.0	4.5
LIN-11K-25	25	+0.030/+0.070	28	57	0.8	4.0	5.0	7.5
LIN-11K-30	30	+0.040/+0.085	34	67	0.8	4.0	5.0	14.5
LIN-11K-40	40	+0.040/+0.085	44	79	1.3	5.0	6.0	24.5
LIN-11K-50	50	+0.050/+0.100	55	99	1.3	6.0	7.0	49.0

装配尺寸 Installation size

产品编码 Part No.	轴径 Shaft [mm]	D H7 [mm]	B h10 [mm]	W [mm]	r ^{+0.5} [mm]	t ^{+0.05} [mm]	f ^{+0.1} [mm]	Z ^{+0.2} [mm]
LIN-11K-10	10	12	29	7.3	3.0	2.6	1.0	2.6
LIN-11K-12	12	14	32	9.0	3.0	3.1	1.5	3.1
LIN-11K-16	16	18	36	11.6	3.5	3.6	1.7	3.6
LIN-11K-20	20	23	45	12.0	5.0	3.6	2.0	3.6
LIN-11K-25	25	28	58	14.5	5.0	4.1	2.0	4.1
LIN-11K-30	30	34	68	16.6	5.0	4.1	2.0	4.1
LIN-11K-40	40	44	80	21.0	6.0	5.1	2.5	5.1
LIN-11K-50	50	55	100	25.5	7.0	6.1	2.5	6.1



配合LIN-11K滑动膜产品:

LIN-11K Liners are used in:



LIN-11RK



LIN-11RSK



LIN-11BK

产品编码 Part No.:

LIN-11K-10

内径 Inner diameter

标准开口系列11K Standard split type 11K